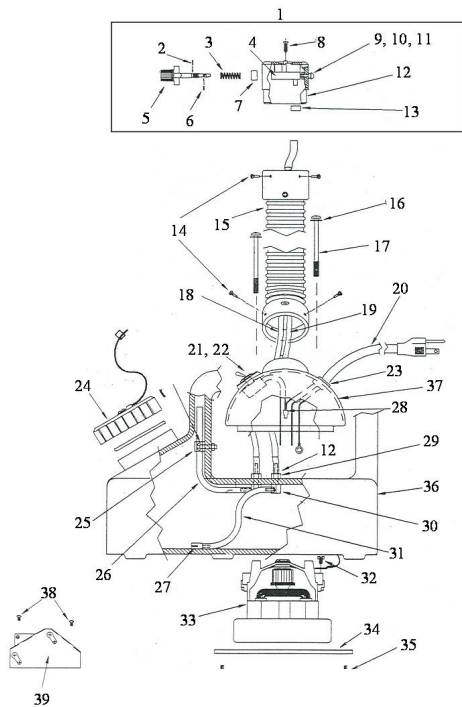


2600 Flex-A-Lite Fogger (110 Volt)



ITEM	PART NUMBER	COMPUTER NUMBER	DESCRIPTION
1	2384	29108246	Nozzle Assembly
2	2332	29103230	Clip
3	2334	29103240	Spring
4	2346	95151362	Venturi
5	2331	29103225	Valve Rod/Knob Assembly
6	2330	29103220	O-Ring
7	2333	29103235	Sleeve
8	2329	29108215	Screw
9	2352	29103292	Screw
10	2357	29103297	Hex Nut
11	2359	29103299	Spacer
12	2353	29103293	Nozzle
13	1433	22071433	Spring Clamp used with 19a,19b,19c
14	2354	29103294	Screw
15a	2385-18	29108247	Flex Hose Assembly 18"
15b	2385-36	29108305	Flex Hose Assembly 36"
15c	2385-48	29108268	Flex Hose Assembly 48"
16	8123	29108123	Spacer
17	2308	29108121	Screw
18	2349	29103289	Pressure Tube, Upper
19a	2374-18	29108236	Supply Tube, Upper for 18" Hose
19b	2374-36	29108219	Supply Tube, Upper for 36" Hose
19c	2374-48	29108221	Supply Tube, Upper for 48" Hose
20	2314	29108150	Electric Cord, 110 VAC
21	2311	29108135	Switch 110 VAC
22	990	23089190	Boot T/Switch
23	2315	29108155	Strain Relief
24	1103	22071003	Closure
25	2358	29103298	Tube Retainer
26	2319	29108170	Pressure Tube, Lower
27	2312	29108140	Strainer
28	2316	29108160	Wire Connector
29	1241	29108227	Tank Barb
30	1246	29108226	Angle Barb
31	2375	29108237	Supply Tube, Lower
32	2327	29108205	Grounding Screw
33	2323	29108190	Motor 110 VAC
34	2305	29108105	Motor Guard
35	2306	29108110	Screw
36	2605	Specify Color	Tank
37	2608	Specify Color	Housing
38	1145	22071045	Screw
39	2355	29103295	Mount Plate

INTRODUCTION

The Fogger provides the operator with the widest range of options available for cold fog applications. The nozzle, attached to the flex hose, allows the user to easily direct the fog in, under and at objects. The convenient flow adjustment knob located at the nozzle enables the operator to change the liquid flow rate being dispensed.

The operator can adjust the liquid flow to dispense materials at average droplet sizes under 20 microns (water based chemicals at room temperature). Droplets of this size remain suspended in air for extended periods of time and are used primarily for insecticide applications to control flying insects.

Droplet size will increase as the liquid flow rate is increased and will average approximately 80 microns when the liquid flow is adjusted for maximum output. Larger droplets are dispersed by air flow and can settle on surfaces. This characteristic makes them useful for applying disinfectant, deodorizers and chemicals used for coating the insides of heat ducts or other surfaces.

SAFE AND EFFECTIVE USE

CAUTION: ALWAYS FOLLOW LABEL INSTRUCTIONS FOR THE CHEMICAL SOLUTION!

Measure the volume (cubic feet) of the space to be treated. Then calculate the amount of chemical that should be dispensed into the air space following label directions. Determine the liquid flow rate desired; the lower the flow rate the smaller the droplet size. (NOTE: particle size varies with temperature and viscosity of the material being dispensed.) Using the chemical quantity and liquid flow rate information, calculate the amount of time the fogger should be in operation to dispense the material required.

Conduct a pretreatment walk-through and inspection to ensure that nothing is left to chance. Shut off pilot lights and gas flames. Turn off exhaust fans and air vents to keep material from drifting out of desired area. Set up any necessary air circulating instruments, such as fans, in the area to be treated.

After completing the above, operation of the unit is accomplished as follows:

CAUTION: ALWAYS WEAR THE APPROPRIATE PROTECTIVE CLOTHING AS SPECIFIED IN THE "PRECAUTIONARY STATEMENTS" SECTION OF THE LABEL AND ALWAYS FOLLOW LABEL INSTRUCTIONS.

- Fill the unit with the designated amount of chemical
- Place the machine in the appropriate location for the fogging application
- Set the desired flow rate by turning the liquid flow adjustment knob located at the nozzle to the desired position. The output chart on the unit should be used as a guide.
- Turn the unit on and operate for the time period calculated.
- Prior to turning the unit off, turn the liquid flow adjustment to the "Off" position.

The fogger delivers a wet fog. Care must be taken to prevent a wetting action on the surfaces near the fogging machine. Time the application carefully to ensure that the proper dosage of material is used.

MAINTENANCE

Inspect the venturi after use to check for wear or damage. If the venturi is worn or damaged the unit will not deliver the proper droplet size and it should be replaced immediately.

Check all soft parts (hoses, gaskets, o-rings) for wear regularly. If they appear cracked, brittle or stiff replace immediately.

As with any piece of chemical application equipment, always rinse and flush all containers, lines and nozzles with clean water or a suitable solvent after each and every use. This will prevent the build-up of residues and debris which can hinder the performance of the equipment.

Cleaning after each application will ensure that the next time you use the fogger you won't have to worry about what materials were last used and possible incompatibility with any material to be used.
